



[www.cazenhardware.com](http://www.cazenhardware.com)

## ANJI CAZEN HARDWARE FACTORY LIMITED

Add: Youth Business Park, Anji Town,  
Huzhou City, Zhejiang Province, 313300, China

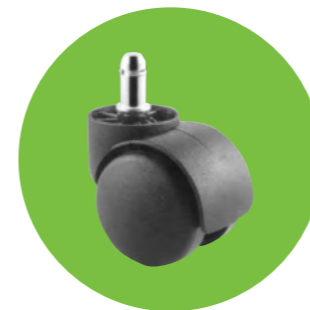
Tel: +86-571-86054063 Mob(whatsapp): +86-13185006066

Web: [www.cazenhardware.com](http://www.cazenhardware.com)

E-mail: [sales@cazenhardware.com](mailto:sales@cazenhardware.com)

# CAZEN®

[www.cazenhardware.com](http://www.cazenhardware.com)



ANJI CAZEN HARDWARE FACTORY LIMITED



CAZEN<sup>®</sup>  
BASE 

## CAZEN<sup>®</sup> / About Us

Anji Cazen Hardware Factory Limited was founded in 2004, locating in Anji, integrating of the R&D and sale the office chair parts and office chairs. Our company covers an area of around 10000 square meters.

Our main products are including chair mechanism, base, armrest, gas lift, etc., With our continuous production equipment investment, strict quality control, fast delivery time, and good customer services, more and more customers select us, and set up the business relationships with us. This help us enjoy good reputations from our customers all over the world, and our products have been sold to more than 50 countries!

We believe, through our endless effort, CAZEN will become one of the most famous and influent brand in the office furniture industry.

We welcome for your visiting to us, and set up the business relationship with us!

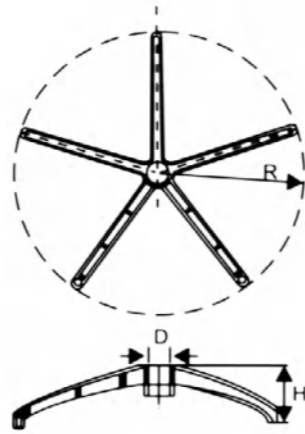
**Knowing us    Trusting us    Choosing us    Growing together with us**



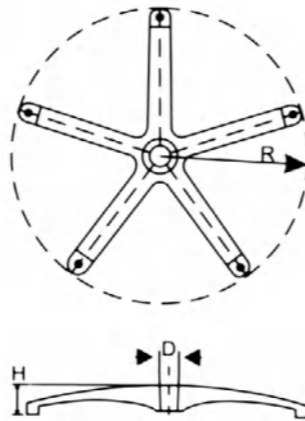
STEEL BASE



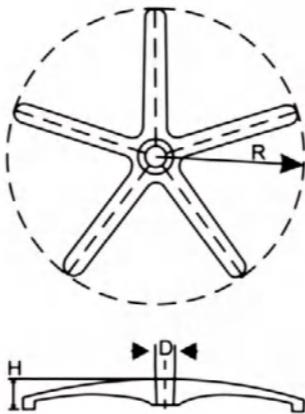
MODEL: **JC-01A**  
 R:280~350mm  
 H:110mm  
 D:50mm



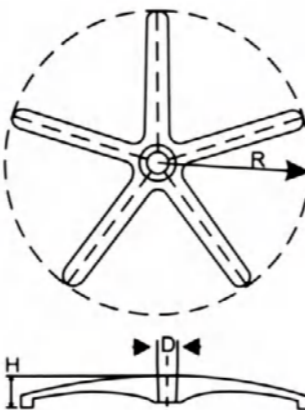
MODEL: **JC-02A**  
 R:280/350mm  
 H:100mm  
 D:50mm



MODEL: **JC-05A**  
 R:240~370mm  
 H:100mm  
 D:50mm



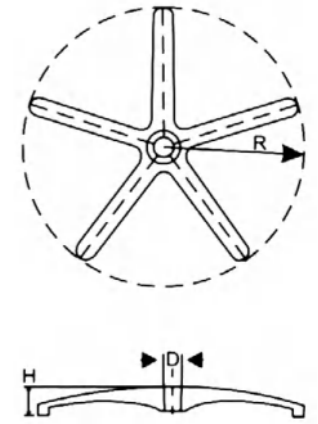
MODEL: **JC-05B**  
 R:240~370mm  
 H:100mm  
 D:50mm



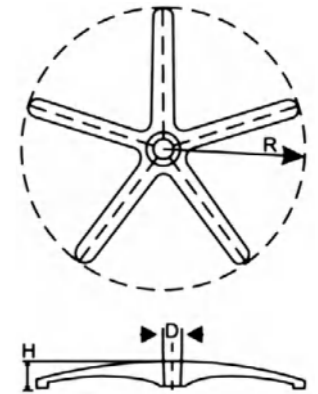
STEEL BASE



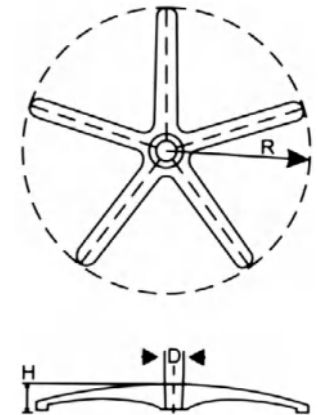
MODEL: **JC-05 BLACK**  
 R:240~370mm  
 H:100mm  
 D:50mm



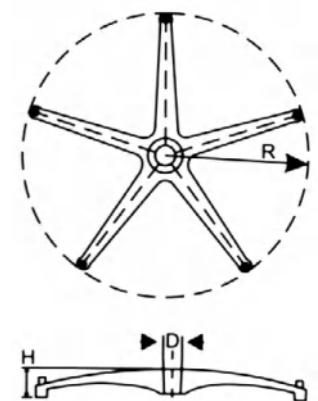
MODEL: **JC-06A**  
 R:300~350mm  
 H:100mm  
 D:50mm



MODEL: **JC-08**  
 R:330~350mm  
 H:86mm  
 D:50mm



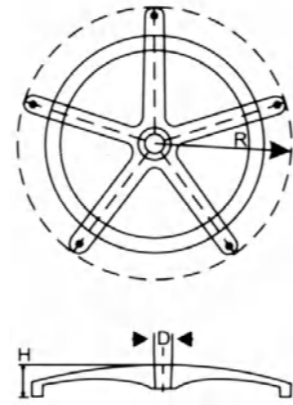
MODEL: **JC-09A**  
 R:280~350mm  
 H:100mm  
 D:50mm



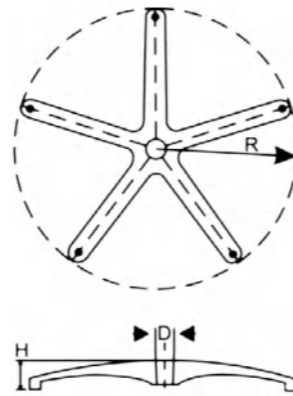
STEEL BASE



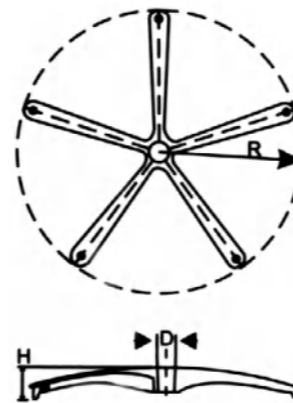
MODEL: **JC-10A**  
 R:250mm  
 H:90mm  
 D:50mm



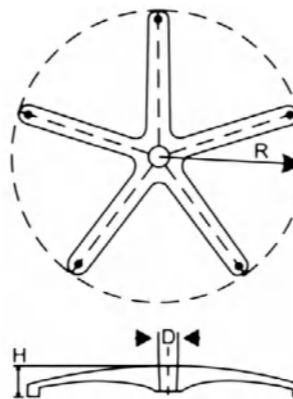
MODEL: **JC-16A**  
 R:300~340mm  
 H:100mm  
 D:50mm



MODEL: **JC-20**  
 R:350/370mm  
 H:84mm  
 D:50mm



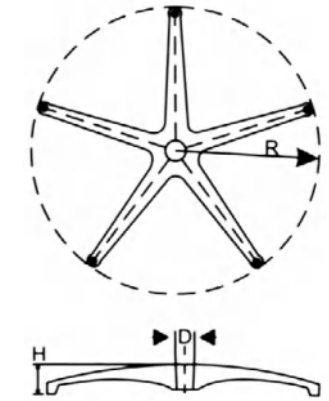
MODEL: **JC-23**  
 R:350mm  
 H:95mm  
 D:50mm



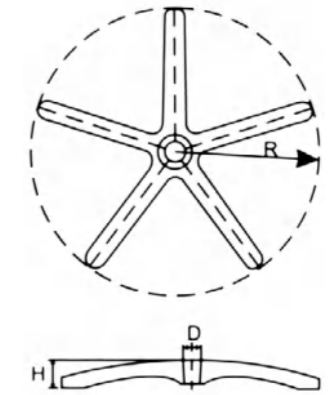
STEEL BASE



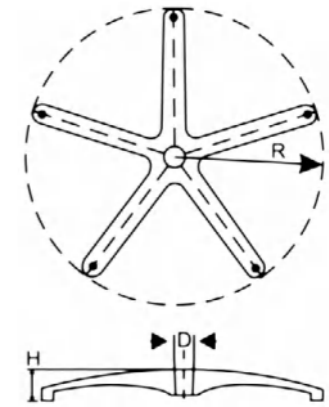
MODEL: **JC-28**  
 R:300~350mm  
 H:88mm  
 D:50mm



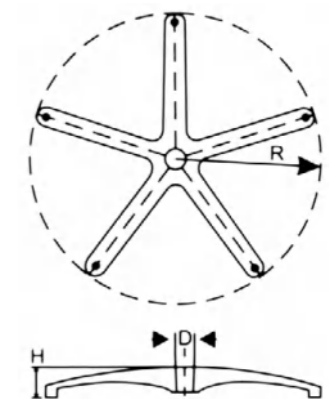
MODEL: **JC-30**  
 R:320/350mm  
 H:55mm  
 D:38mm



MODEL: **JC-58**  
 R:320/350mm  
 H:96mm  
 D:50mm



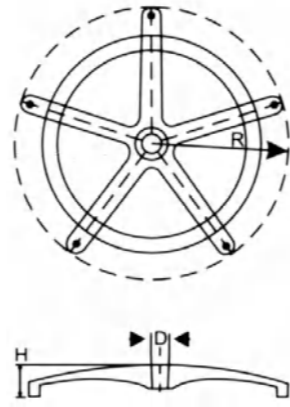
MODEL: **JC-68**  
 R:310mm  
 H:175mm  
 D:50mm



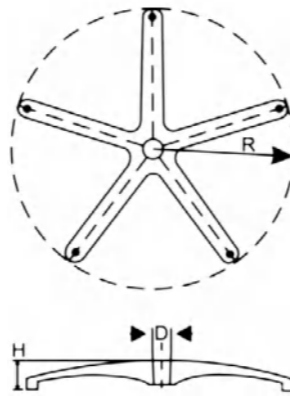
STEEL BASE



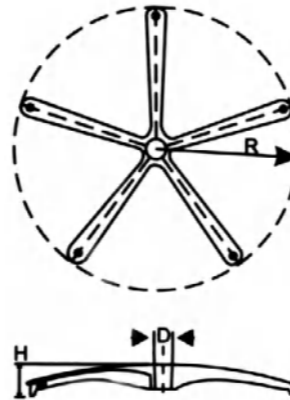
MODEL: **JC-76**  
 R:270~350mm  
 H:100mm  
 D:50mm



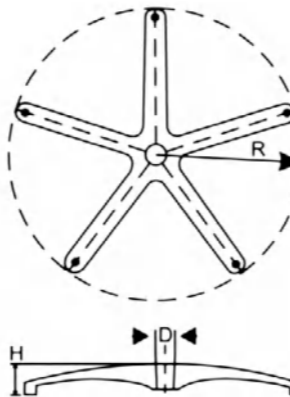
MODEL: **JC-86**  
 R:320/350mm  
 H:95mm  
 D:50mm



MODEL: **JC-88**  
 R:350/370mm  
 H:65mm  
 D:50mm



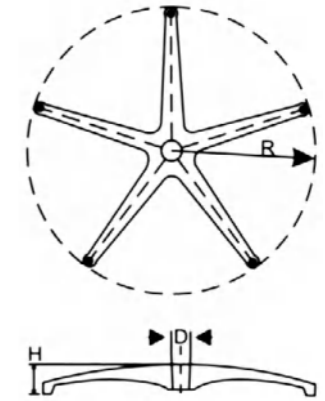
MODEL: **JC-89**  
 R:350mm  
 H:66mm  
 D:50mm



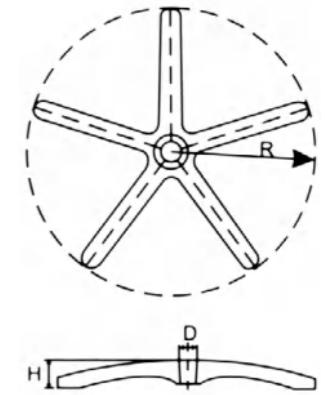
STEEL BASE



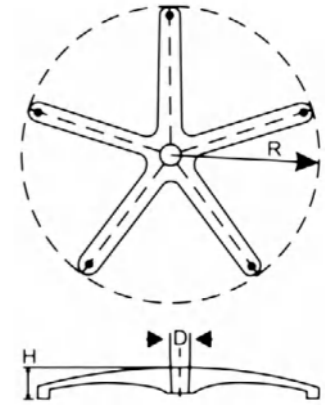
MODEL: **JC-95**  
 R:330~360mm  
 H:135mm  
 D:50mm



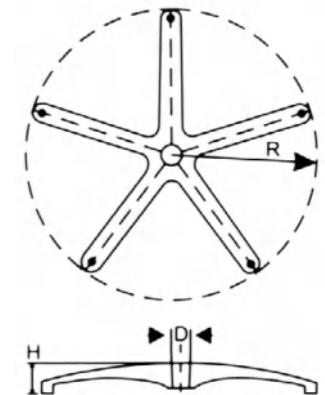
MODEL: **JC-98**  
 R:350mm  
 H:95mm  
 D:38mm



MODEL: **JC-010**  
 R:350mm  
 H:100mm  
 D:50mm

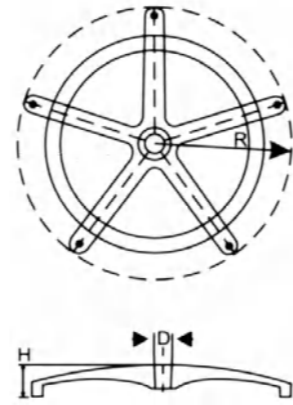


MODEL: **JC-9068**  
 R:280~320mm  
 H:55mm  
 D:50mm

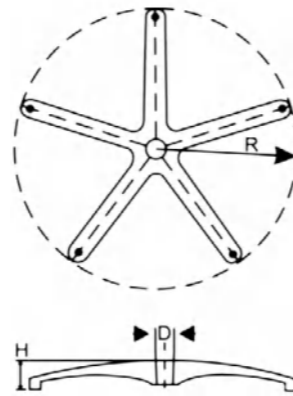




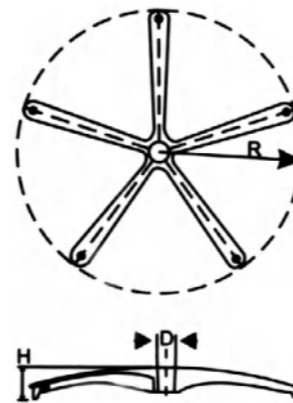
MODEL:JC-01KD  
R:310~350mm  
Tube Size: 38mm  
H:130mm  
D:50mm



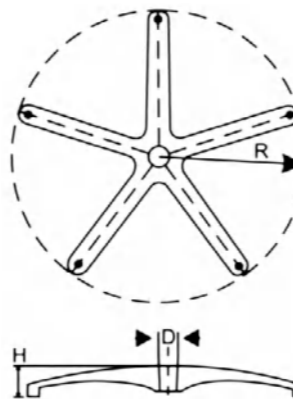
MODEL:JC-05KD  
R:320/360mm  
Tube Size: 38mm  
H:115mm  
D:50mm



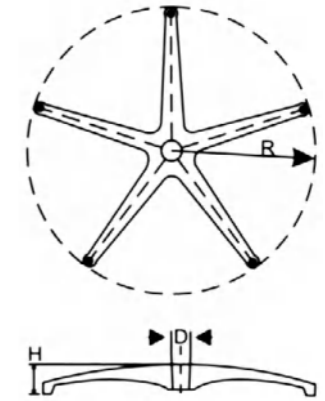
MODEL:JC-07KD  
R:300~350mm  
Tube Size: 35mm  
H:115mm  
D:50mm



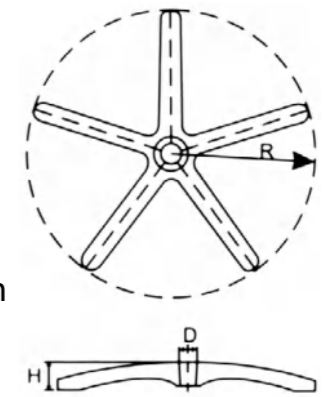
MODEL:JC-28KD  
R:330/350mm  
H:88mm  
D:50mm



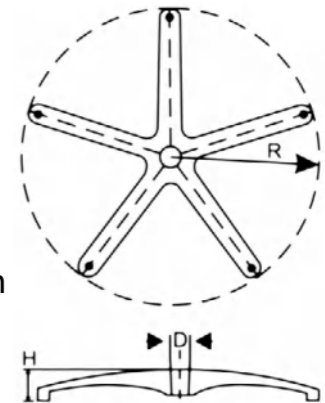
MODEL:JC-58KD  
R:315~350mm  
H:135mm  
D:50mm



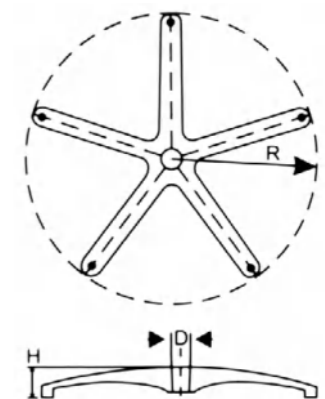
MODEL:JC-76KD  
Tube thicknes:1.2mm  
R:320/350mm  
H:90mm D:38mm



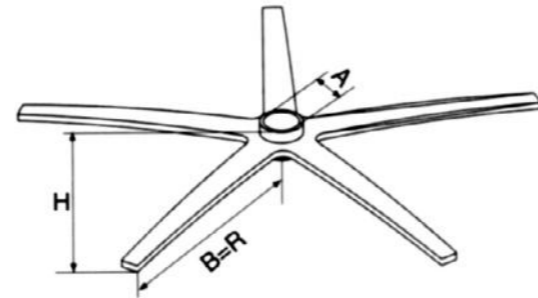
MODEL:JC-77KD  
Tube thicknes:1.1mm  
R:300~350mm  
H:100mm  
D:50mm



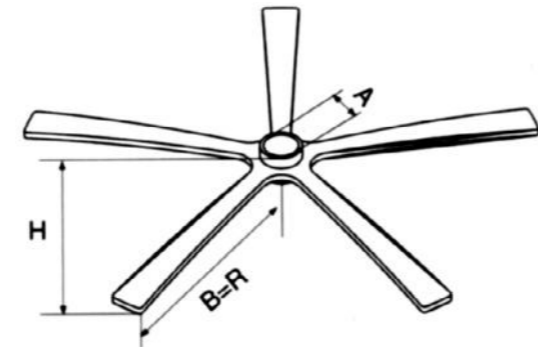
MODEL:JC-78KD  
R:330/350mm  
H:100mm  
D:50mm



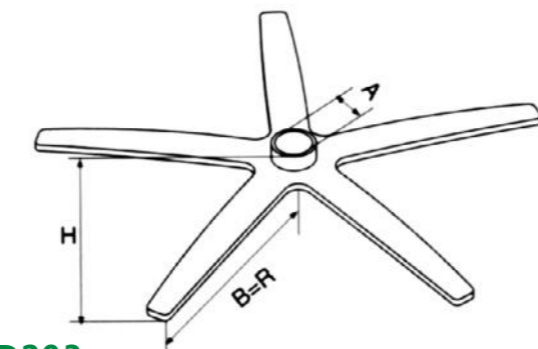
STEEL BASE



MODEL: **JC-D201**  
 R:375mm  
 H:64mm  
 A:50mm

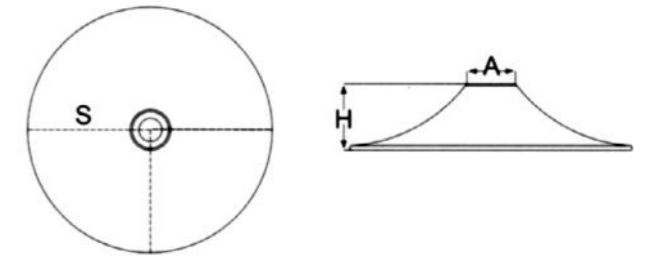


MODEL: **JC-D202**  
 R:375mm  
 H:64mm  
 A:50mm

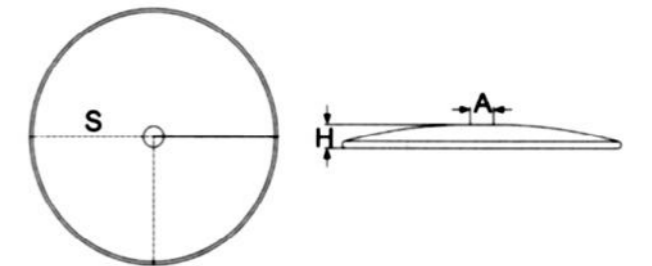
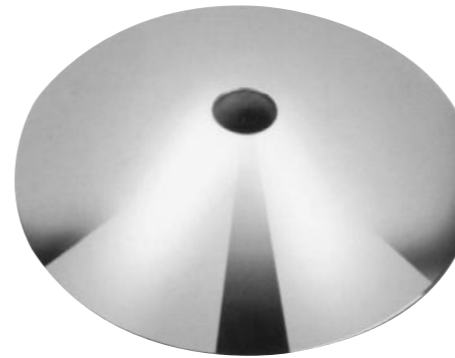


MODEL: **JC-D203**  
 R:350mm  
 H:64mm  
 A:50mm

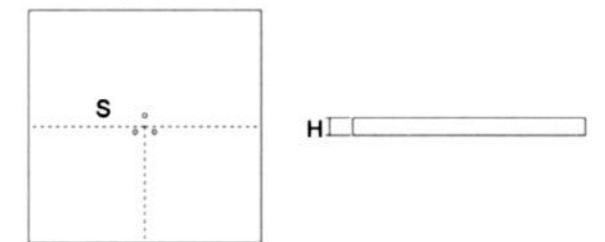
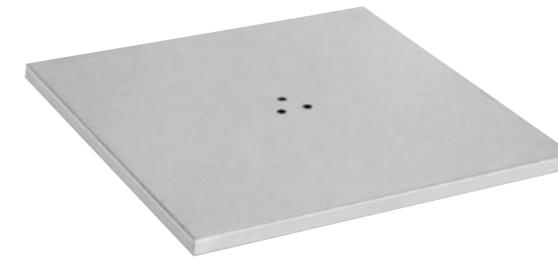
STAINLESS BASE



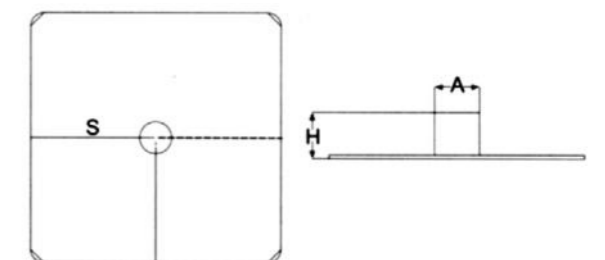
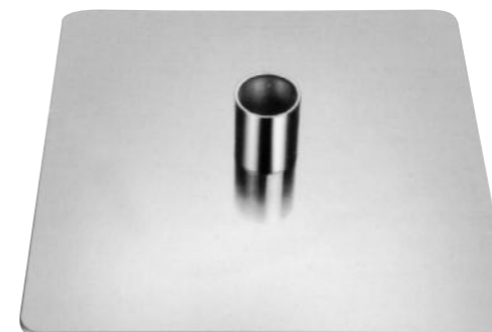
MODEL: **JC-D204**  
 S:380~680mm  
 H:72~135mm A:48.5mm



MODEL: **JC-D205**  
 S:380~580mm  
 H:50~80mm A:48.5mm

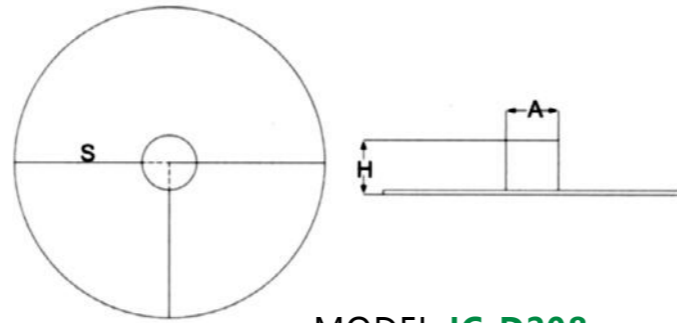
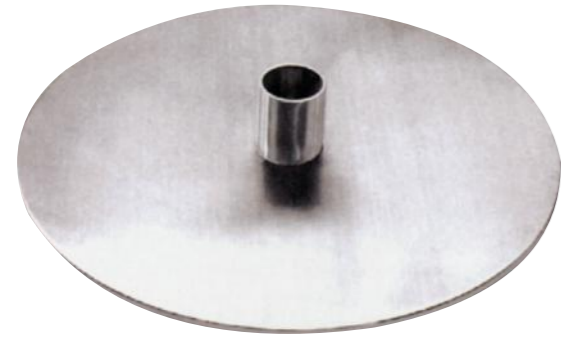


MODEL: **JC-D206**  
 S:380×380~600×600mm  
 H:20mm A:3×10mm

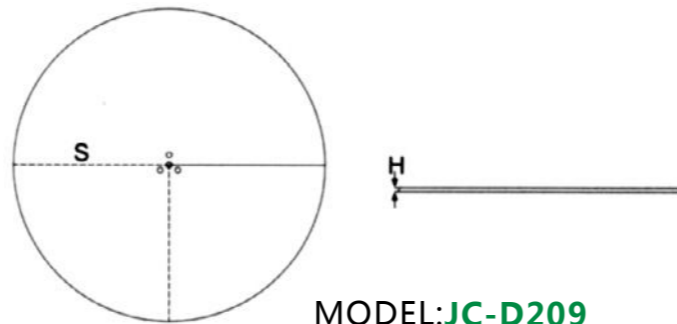


MODEL: **JC-D207**  
 S:380×380~550×550mm  
 H:70mm A:48.5mm

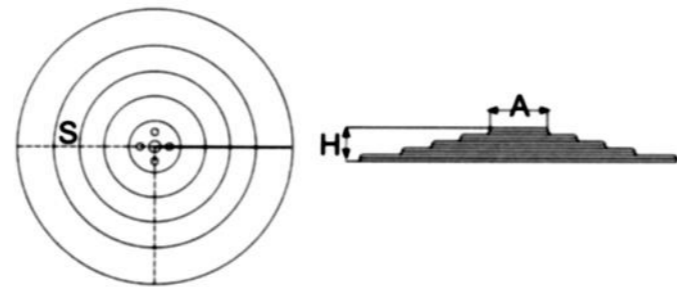
STAINLESS BASE



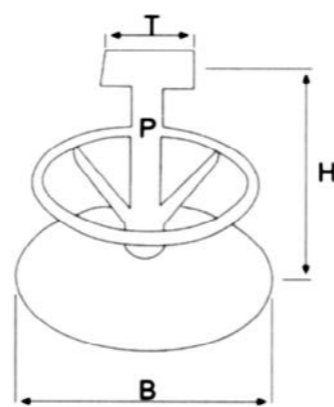
MODEL: **JC-D208**  
S:300~600mm  
H:70mm A:48.5mm



MODEL: **JC-D209**  
S:150~720mm  
H:10mm A:10mm



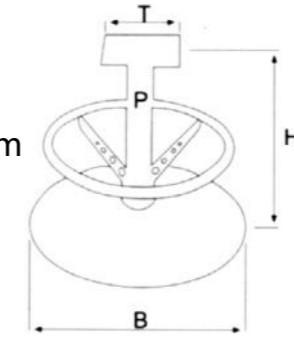
MODEL: **JC-D210**  
S:490mm  
H:55mm A:48.5mm



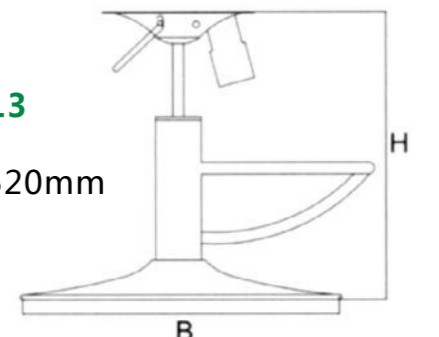
MODEL: **JC-D211**  
T:170×170mm P:60mm  
H:470mm B:520mm

STAINLESS BASE

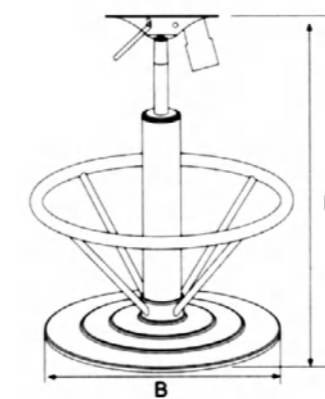
MODEL: **JC-D212**  
T:170×170mm P:60mm  
H:500mm B:530mm



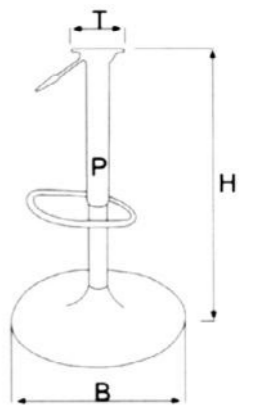
MODEL: **JC-D213**  
T:250×180mm  
H:520mm B:520mm



MODEL: **JC-D214**  
T:250×180mm  
H:520mm B:470mm



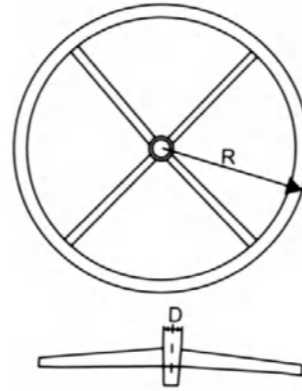
MODEL: **JC-D215**  
T:165mm P:60mm  
H:720mm B:400mm



FOOTREST



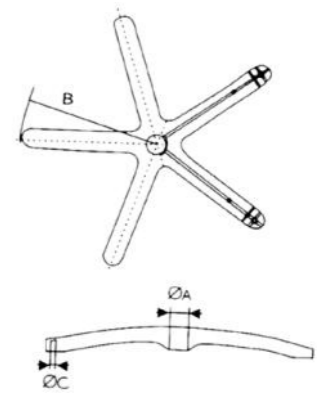
MODEL: **JC-3401**  
R:250mm  
D:50mm



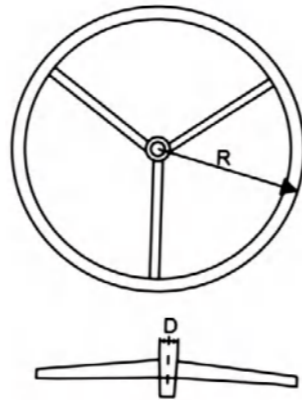
ALUMINUM BASE



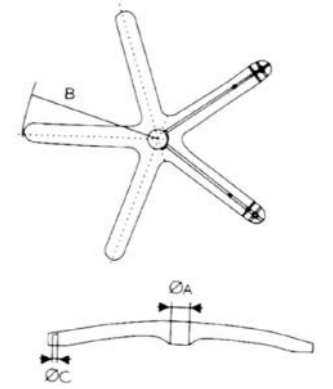
MODEL: **ALB02**  
A:50mm  
B:350mm  
H:83mm



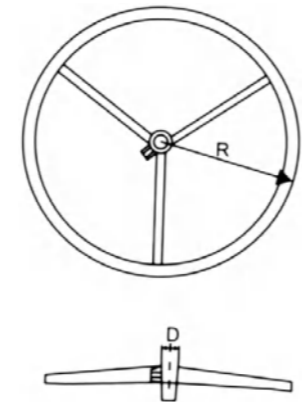
MODEL: **JC-3403**  
R:222.5mm  
D:50mm



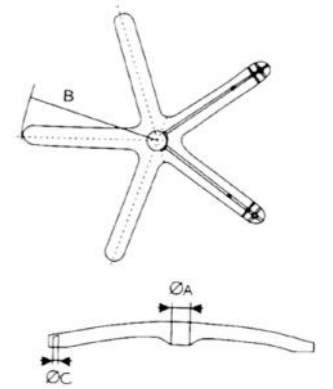
MODEL: **ALB05**  
A:50mm  
B:330/350mm  
H:71/75mm



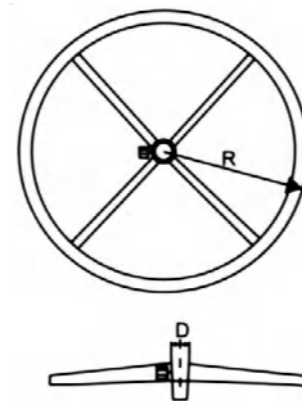
MODEL: **JC-3410**  
R:222.5~250mm  
D:50mm



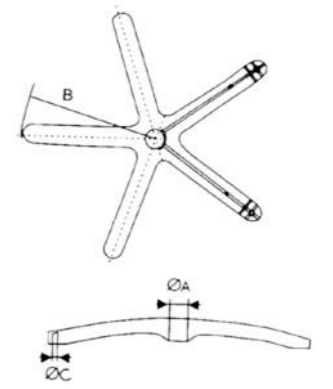
MODEL: **ALB03**  
A:50mm  
B:320/350mm  
H:82/85mm



MODEL: **JC-3412**  
R:221.5mm  
D:50mm



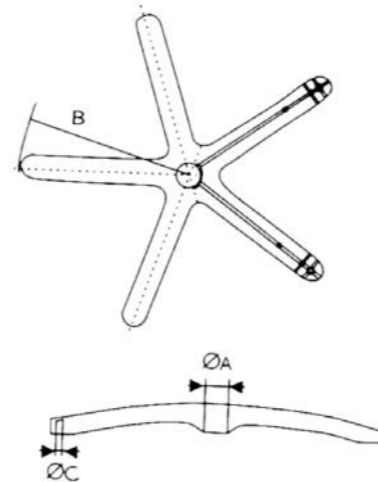
MODEL: **ALB06**  
A:50mm  
B:330mm  
H:140mm



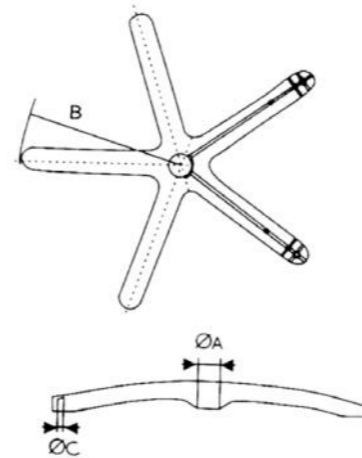
ALUMINUM BASE



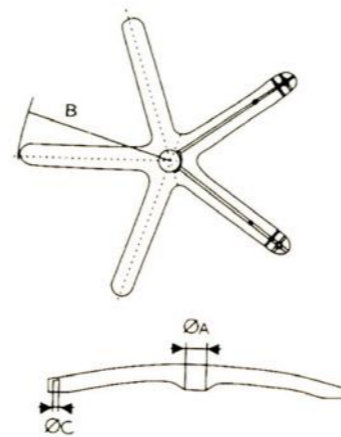
MODEL:ALB07  
A:50mm  
B:350mm  
H:140mm



MODEL:ALB10  
A:50mm  
B:330mm  
H:110mm



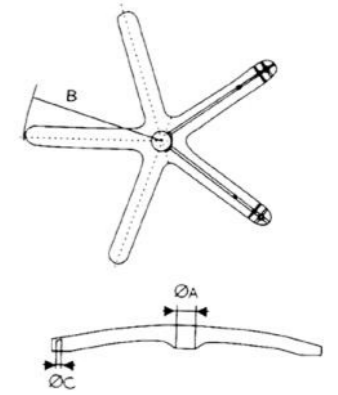
MODEL:ALB09  
A:50mm  
B:330mm  
H:140mm



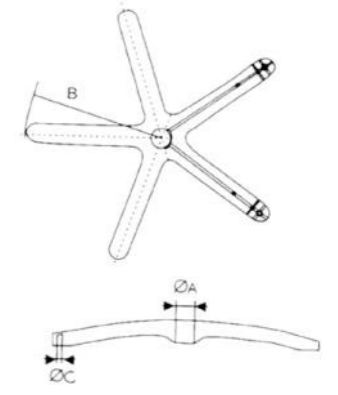
NYLON BASE



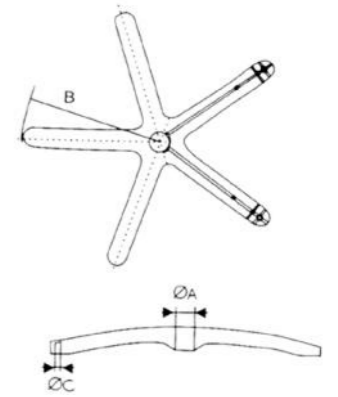
MODEL:PBS01  
A:50mm  
B 280 300 320 350  
H 72 72 78 90



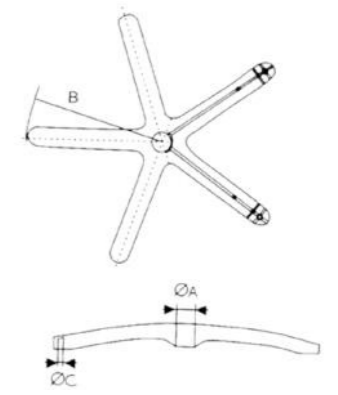
MODEL:PBS05  
A:50mm  
B 280 300 320 350  
H 68 70 75 74



MODEL:PBS06  
A:50mm  
B 300 320 350  
H 111 127 132



MODEL:PBS07  
A:50mm  
B 250 270 300 320  
H 51 50 60 61



# CAZEN<sup>®</sup> ARMREST

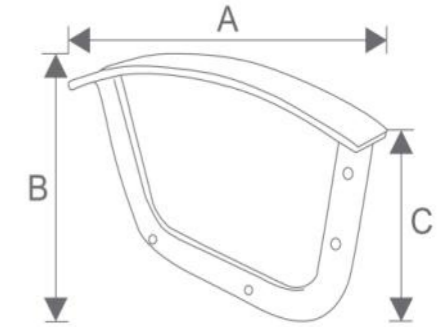


## STEEL ARMREST

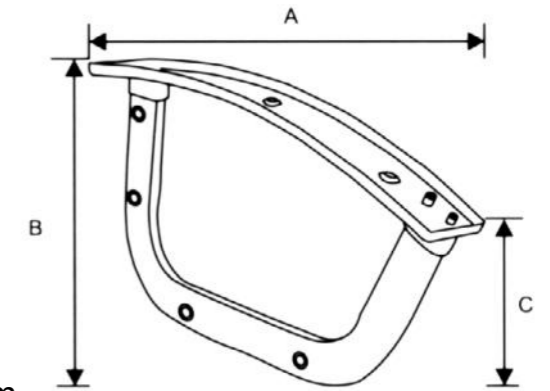
CAZEN<sup>®</sup>



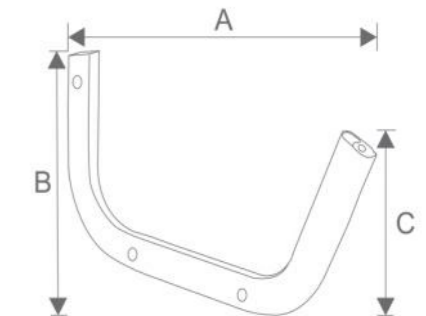
MODEL: **JC-80146**  
A:430mm B:220mm C:250mm



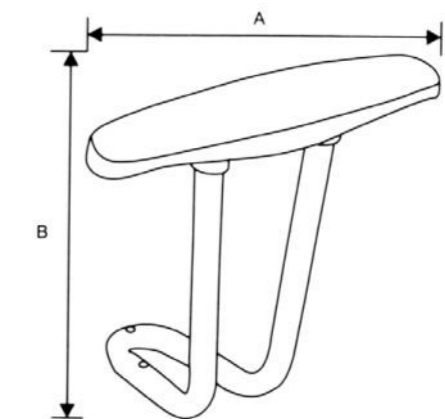
MODEL: **JC-071A**  
A:420mm B:230mm C:185mm



MODEL: **JC-073**  
A:420mm B:230mm C:185mm



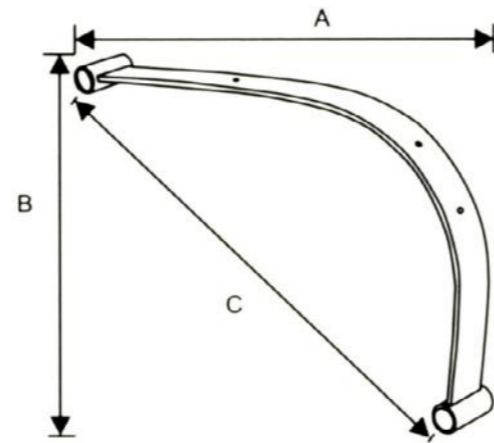
MODEL: **JC-018**  
A:285mm B:280mm



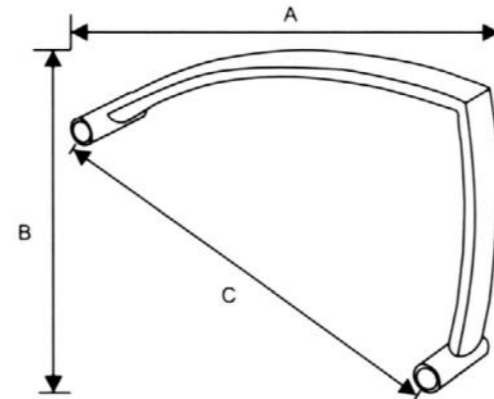
STEEL ARMREST



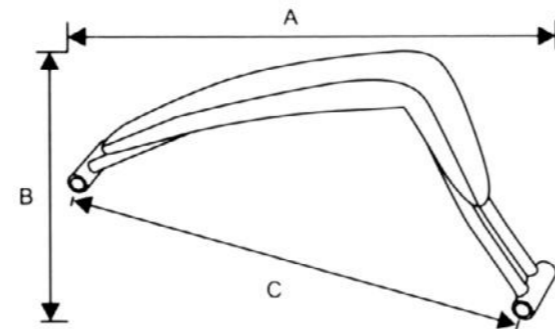
MODEL: **JC-021**  
A:430mm B:260mm C:455mm



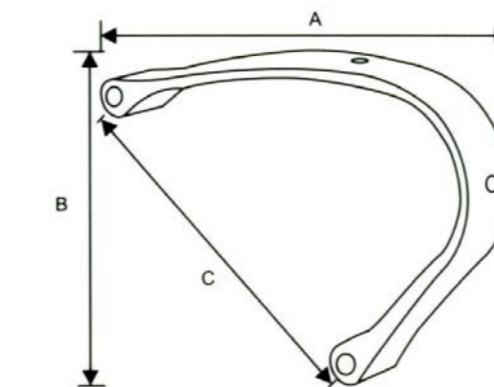
MODEL: **JC-022**  
A:410mm B:270mm C:380mm



MODEL: **JC-023**  
A:410mm B:250mm C:435mm



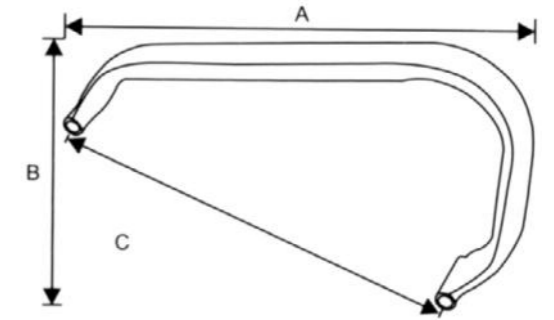
MODEL: **JC-050A**  
A:420mm B:320mm C:350mm



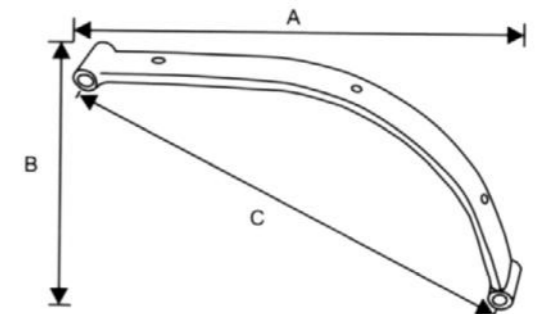
STEEL ARMREST



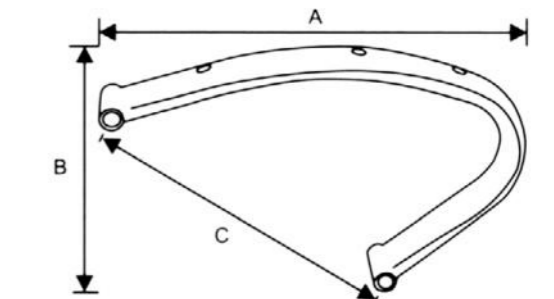
MODEL: **JC-012**  
A:350mm B:245mm C:333mm



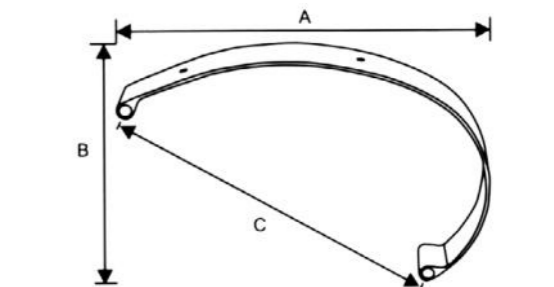
MODEL: **JC-015**  
A:410mm B:240mm C:430mm

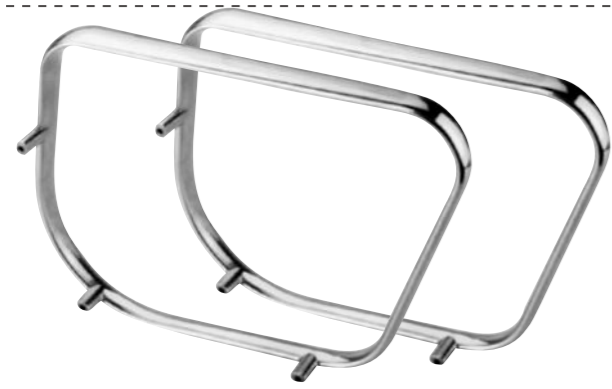


MODEL: **JC-010B**  
A:420mm B:280mm C:343mm

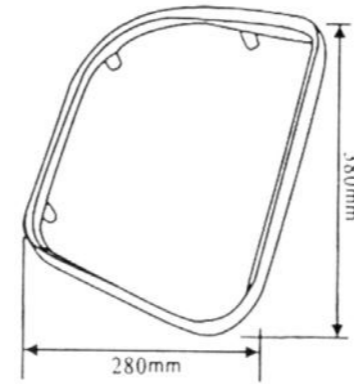


MODEL: **JC-005**  
A:420mm B:280mm C:373mm

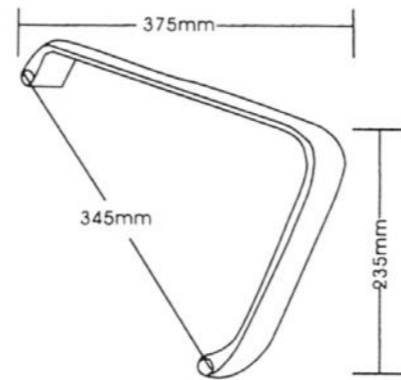




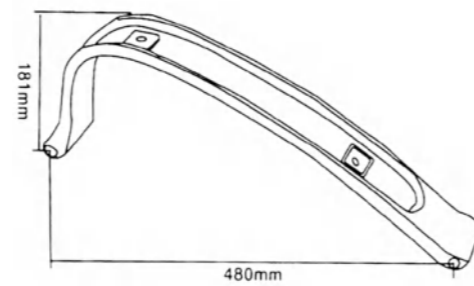
MODEL:JC-A001



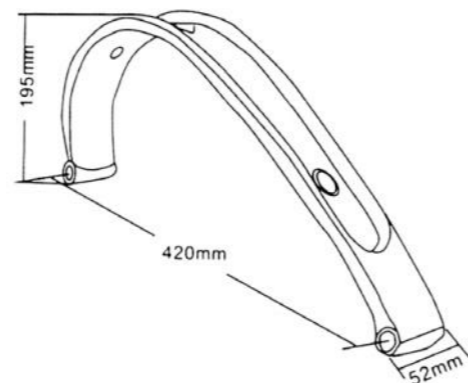
MODEL:JC-A002



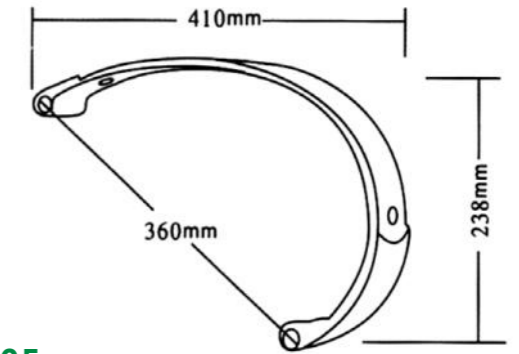
MODEL:JC-A003



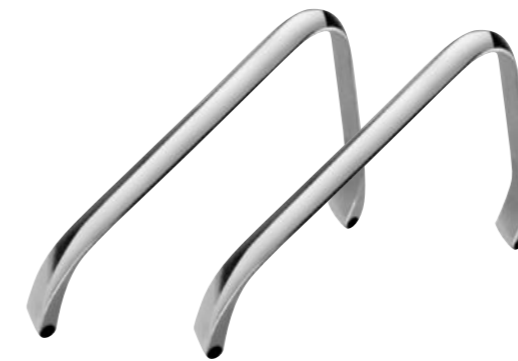
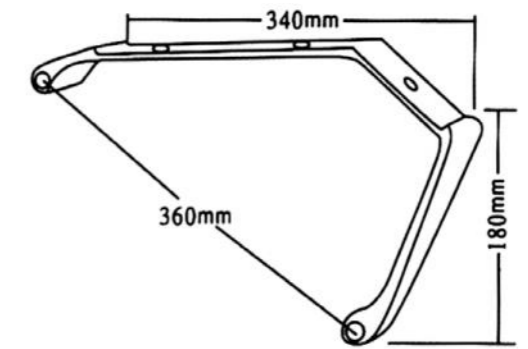
MODEL:JC-A004



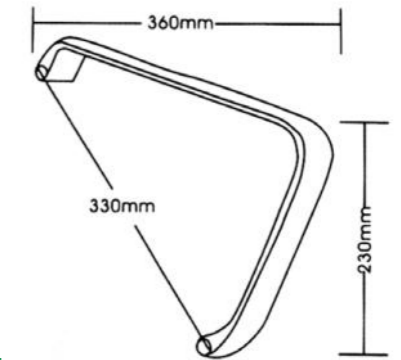
MODEL:JC-A005



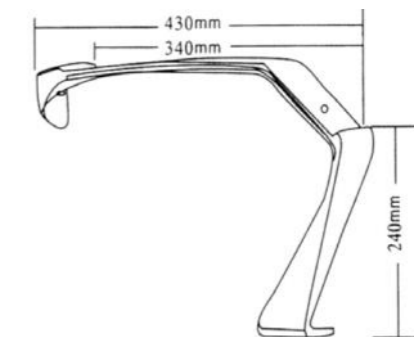
MODEL:JC-A006



MODEL:JC-A007



MODEL:JC-A008





4D



MODEL:JC-A009



3D



MODEL:JC-A018



3D/1D

MODEL:JC-A030



1D

MODEL:JC-A013



2D



MODEL:JC-A010-1



1D



MODEL:JC-A001



3D/1D

MODEL:JC-A018-2



1D



MODEL:JC-A014



4D



MODEL:JC-A021



4D

MODEL:JC-A023



MODEL:JC-A011



MODEL:JC-A015



4D

MODEL:JC-A024



3D/1D

MODEL:JC-A029



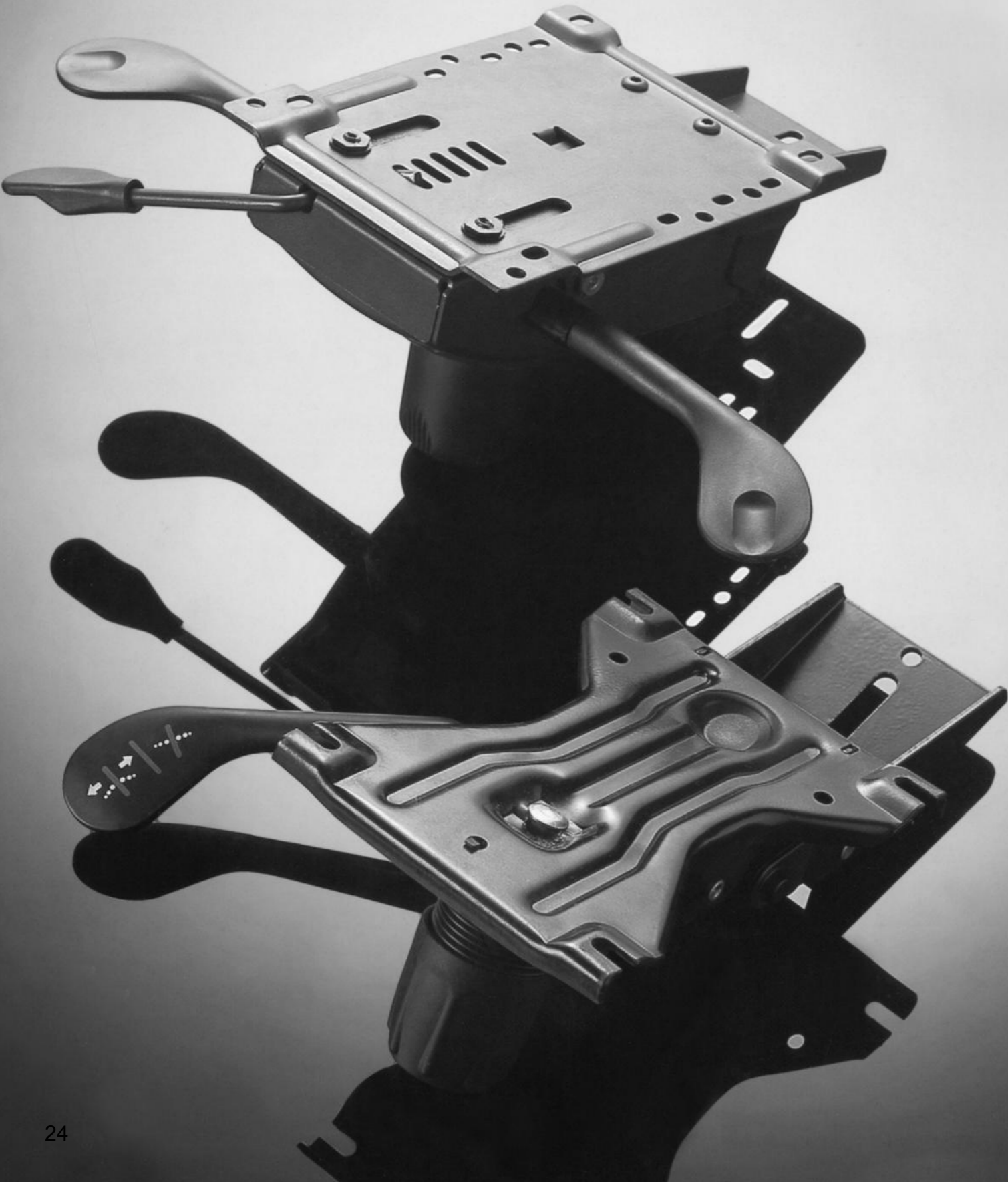
MODEL:JC-A012



MODEL:JC-A016

# CAZEN®

## MECHANISM ▶▶

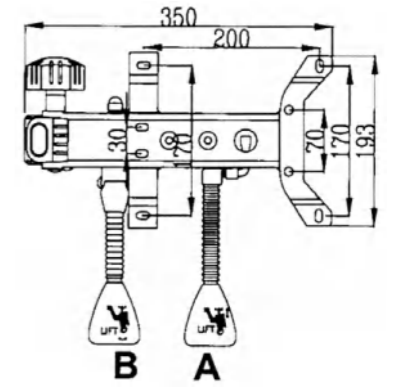


## MECHANISM

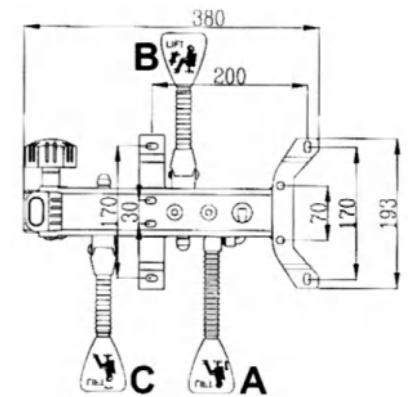
# CAZEN®



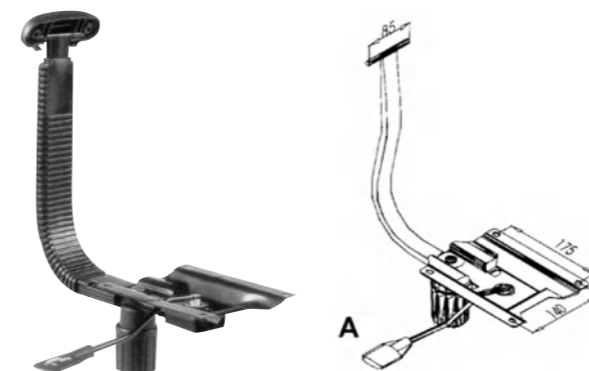
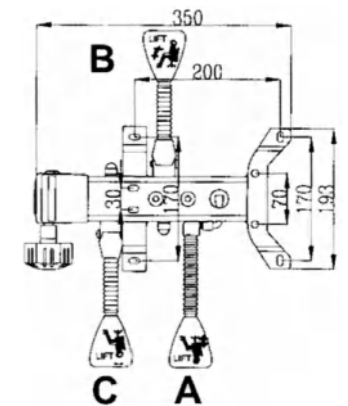
MODEL:MECH301



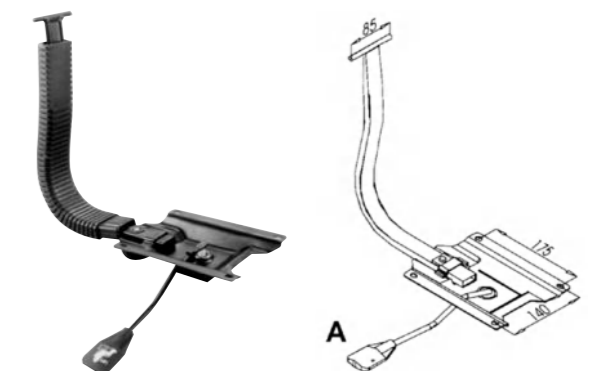
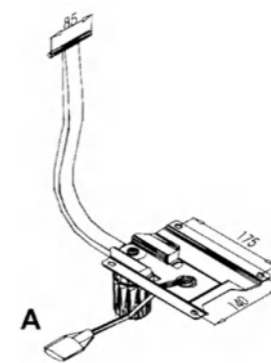
MODEL:MECH302



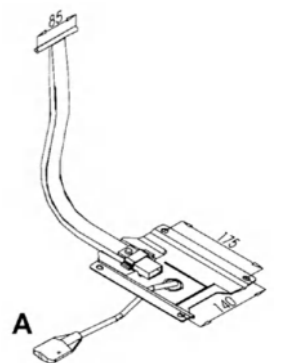
MODEL:MECH303

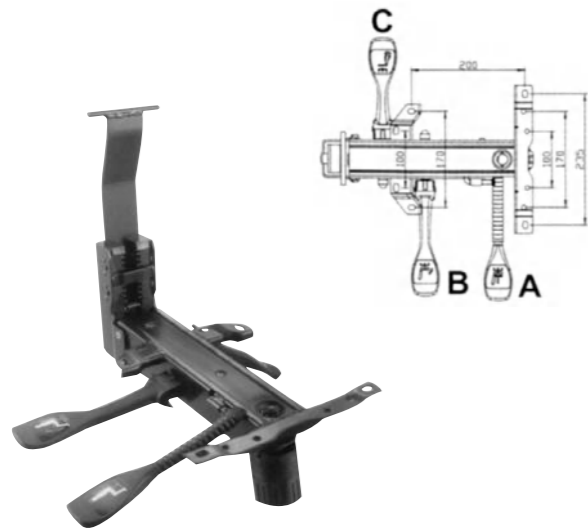


MODEL:MECH203+BAR+BELLOW

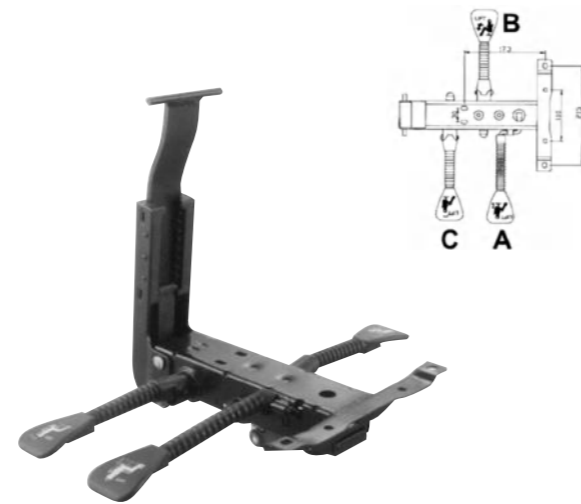


MODEL:MECH205+BAR+BELLOW

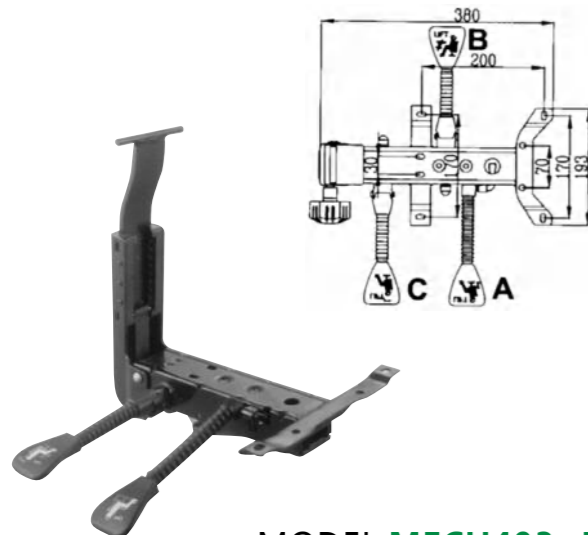




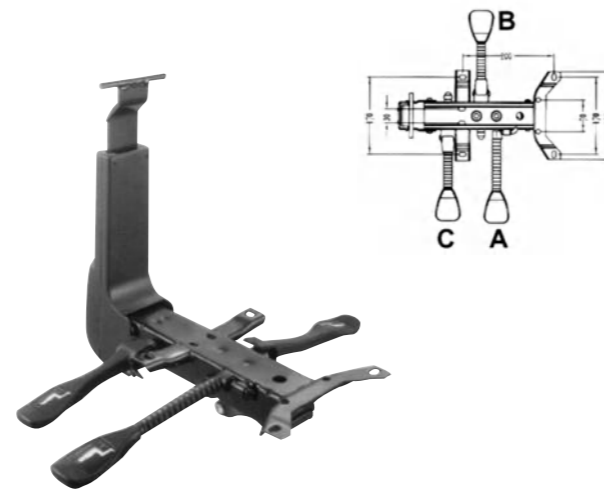
MODEL:MECH401+BAR



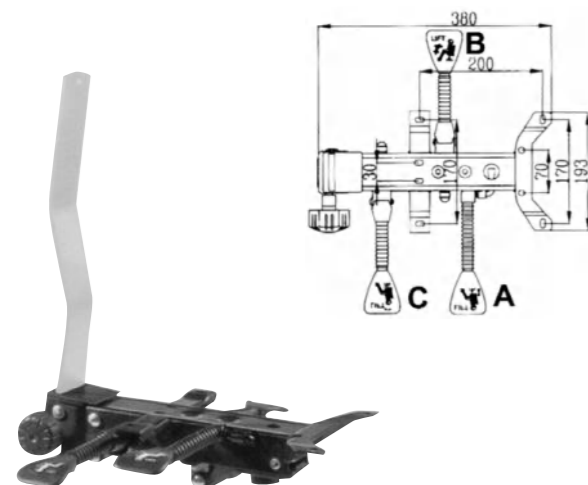
MODEL:MECH402+BAR



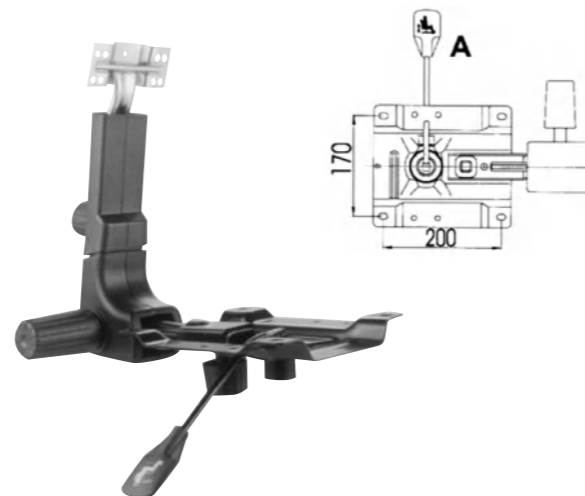
MODEL:MECH403+BAR



MODEL:MECH404+BAR



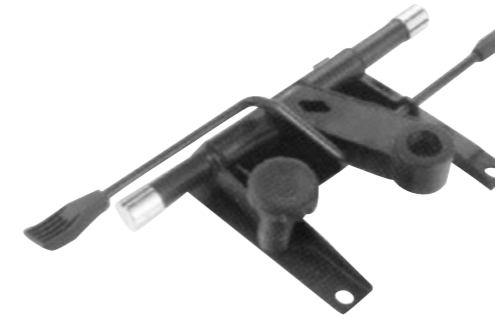
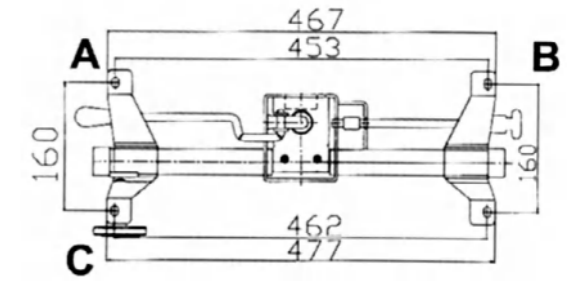
MODEL:MECH303+BAR



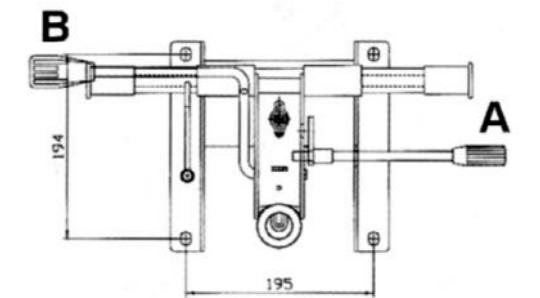
MODEL:TY-017+BAR



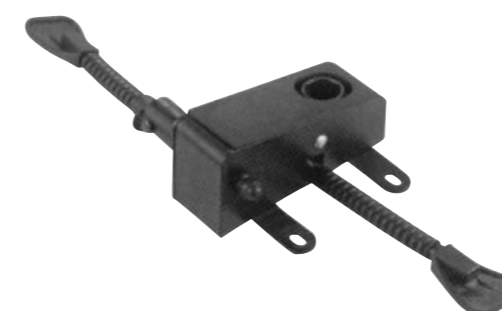
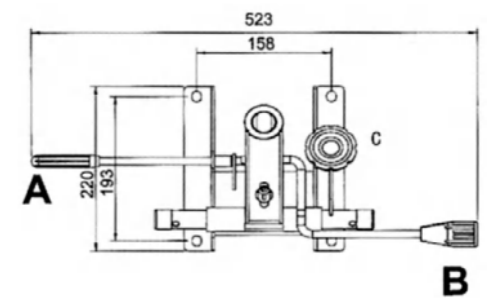
MODEL:MECH601



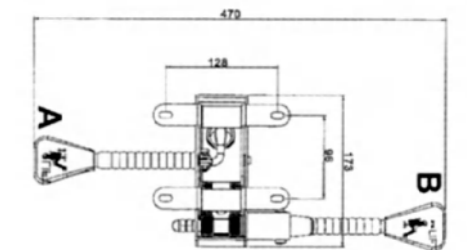
MODEL:MECH602



MODEL:MECH603

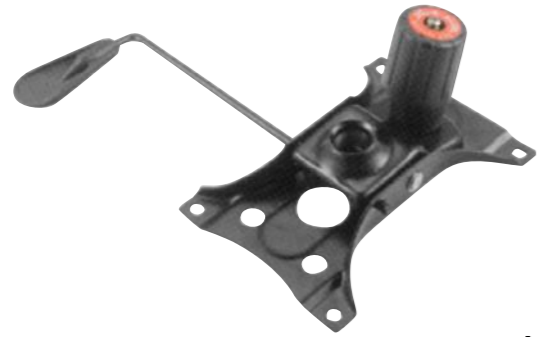


MODEL:MECH606

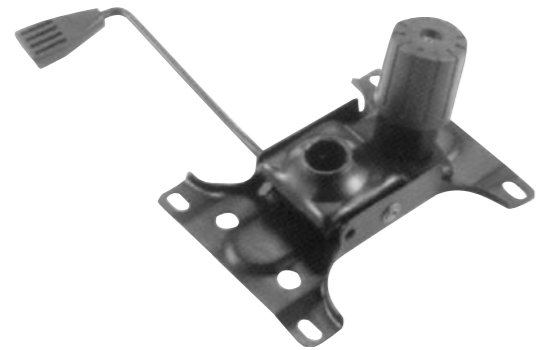
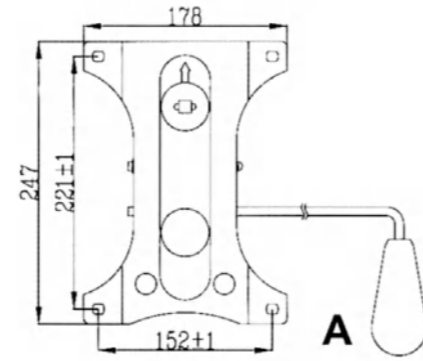




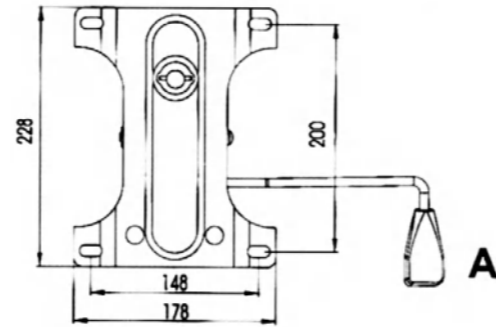
MECHANISM



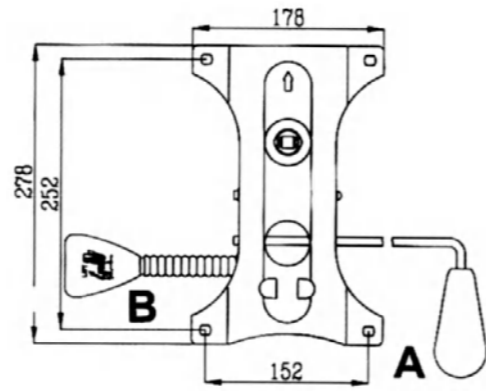
MODEL:MECH801



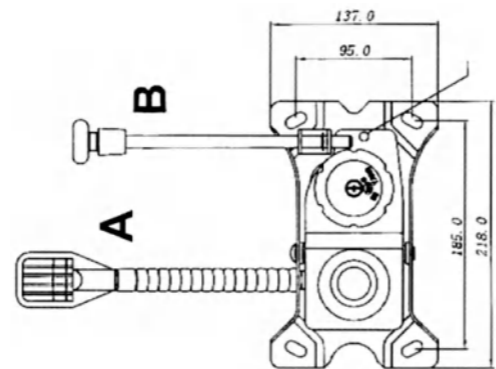
MODEL:MECH802



MODEL:MECH805



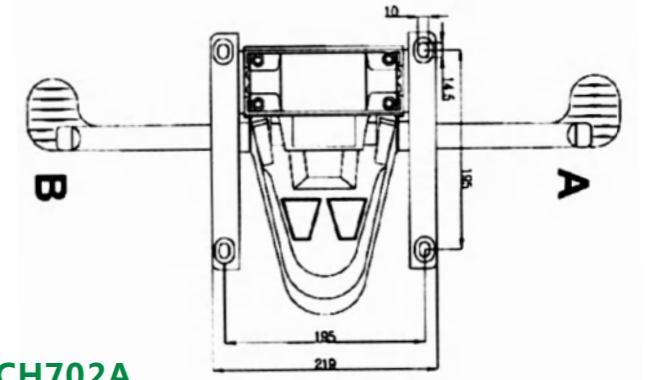
MODEL:MECH806



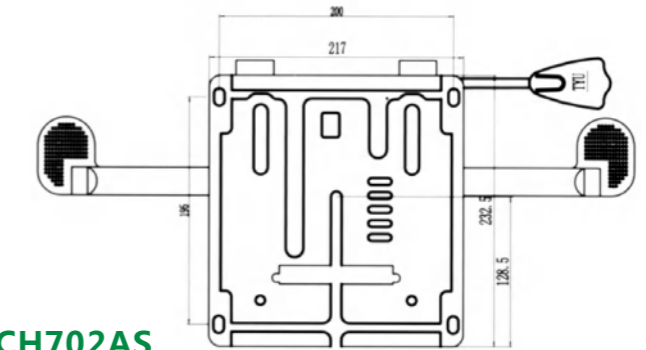
MECHANISM



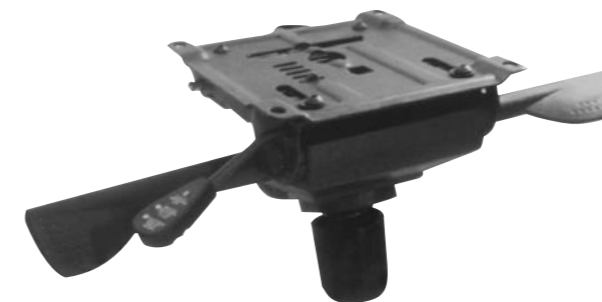
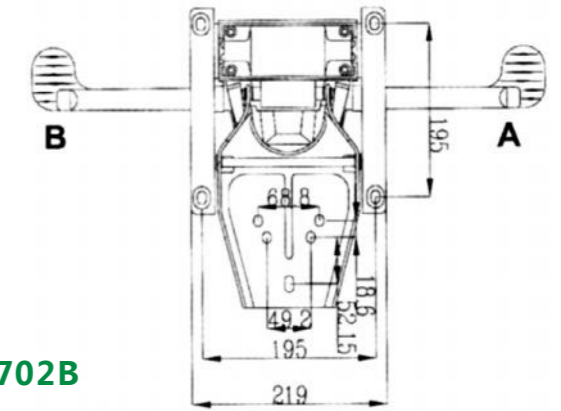
MODEL:MECH702A



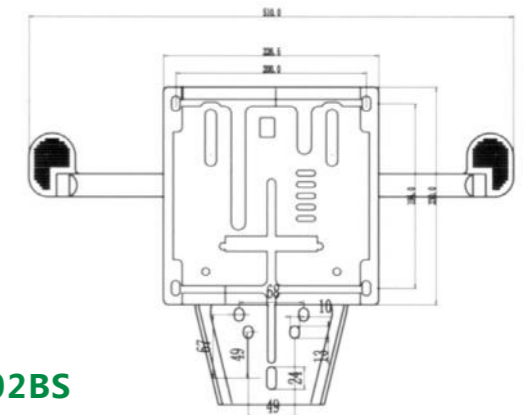
MODEL:MECH702AS



MODEL:MECH702B

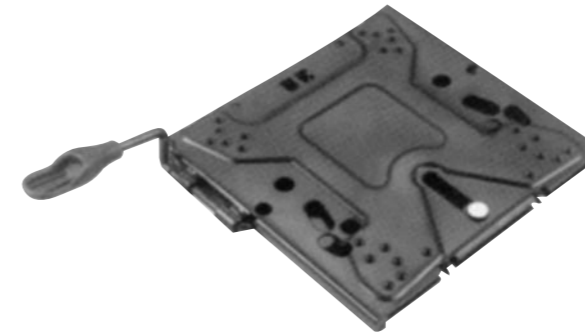
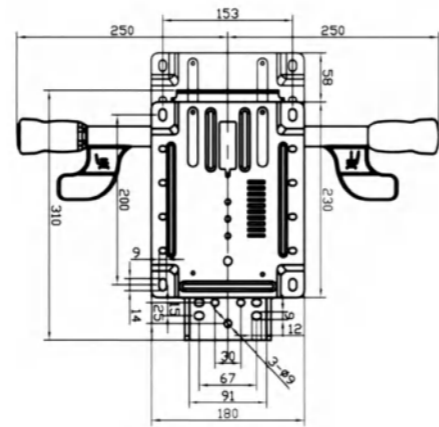


MODEL:MECH702BS

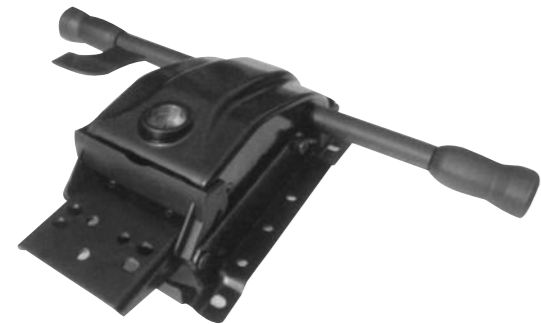
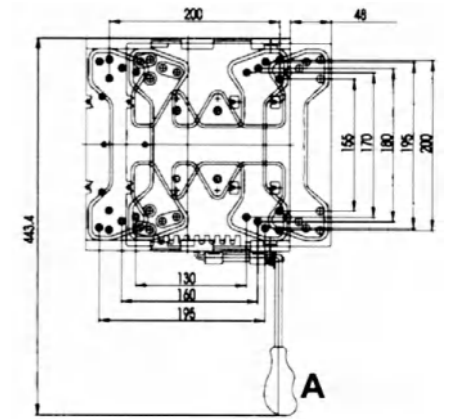




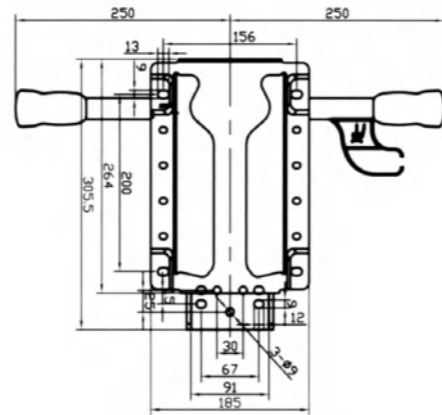
MODEL:TY800



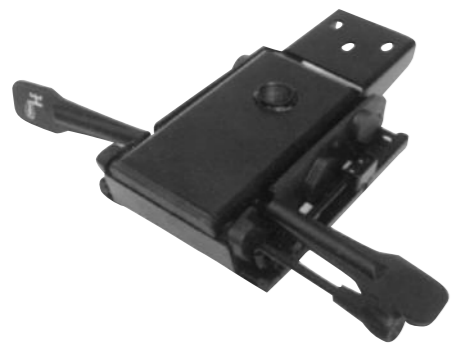
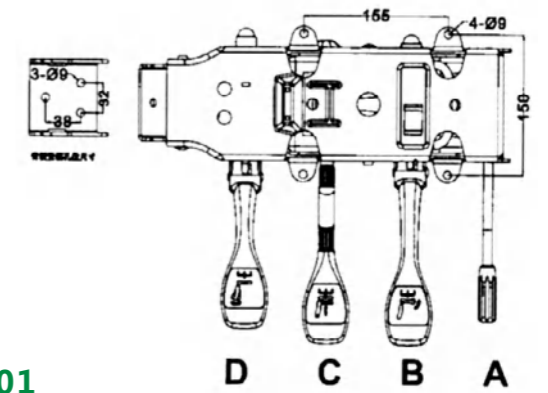
MODEL:MS001



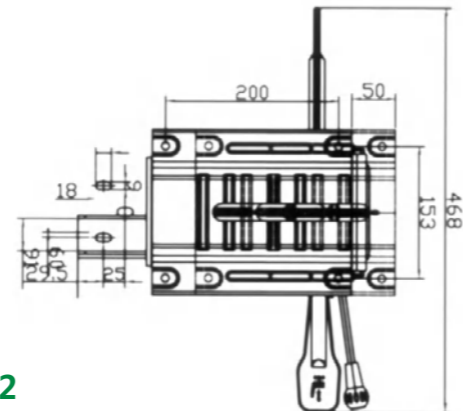
MODEL:TY801



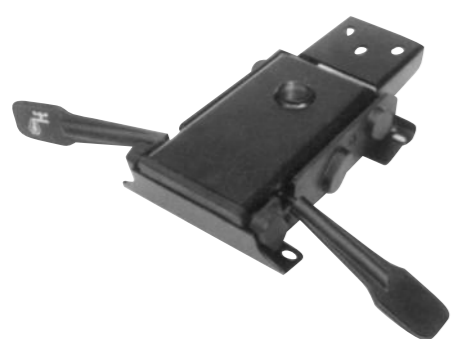
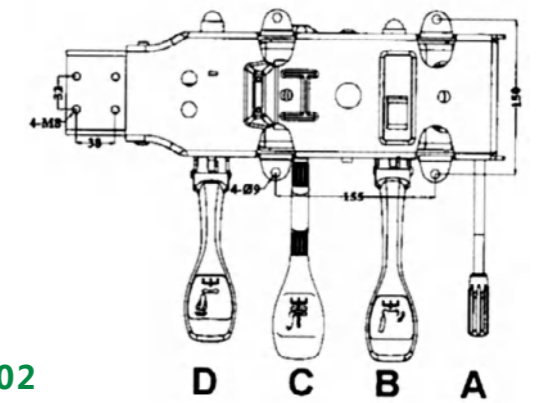
MODEL:MECH901



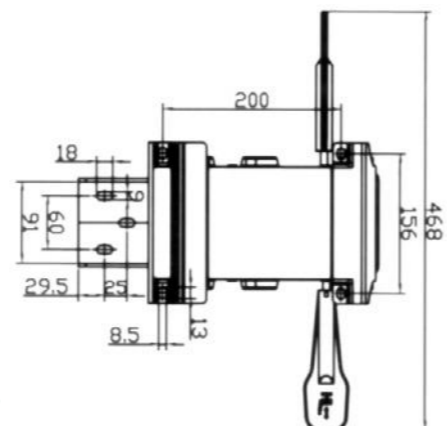
MODEL:TY802



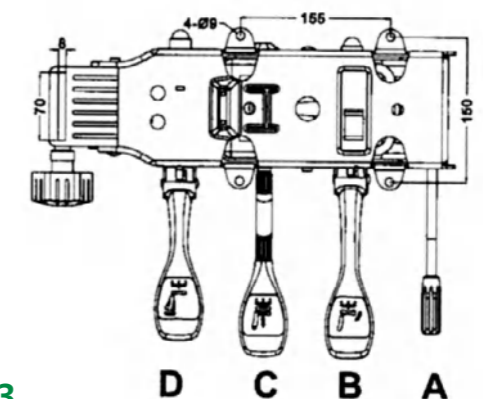
MODEL:MECH902



MODEL:TY803



MODEL:MECH903



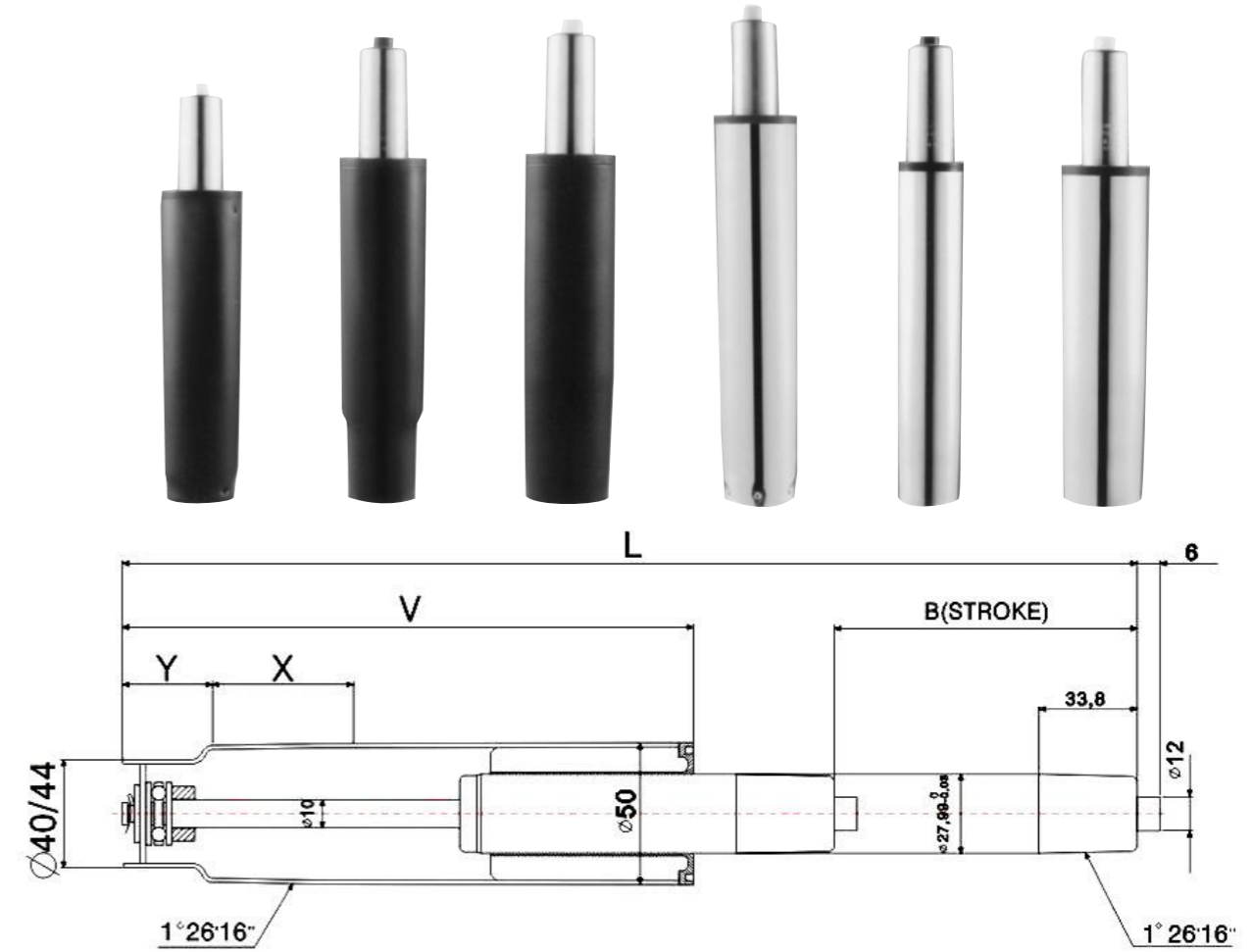
CAZEN®

GAS SPRING ▶▶



GAS SPRING

CAZEN®



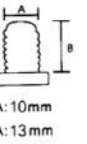
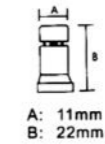
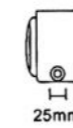
Model	Length	Stroke	Can	Can Taper	Bottom Step
	L	B	V	X	Y
40#	238	40	150	55	20
60#	278	60	160	55	20
80#	301	80	175	55	20
100#	348	100	195	55	20
120#	388	120	215	55	20
140#	414	140	235	55	20
160#	475	160	245	55	20
180#	490	180	265	55	20

# CAZEN<sup>®</sup> CASTER




## CASTER

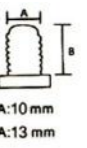
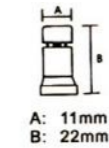
CAZEN<sup>®</sup>



MODEL: **CAS210**



MODEL: **CAS211**



MODEL: **CAS212-1**



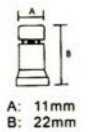
MODEL: **CAS212-2**



MODEL: **CAS212-3**



MODEL: **CAS212-4**



MODEL: **CAS202-1**



MODEL: **CAS202-2**



MODEL: **CAS202-3**



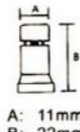
MODEL: **CAS201**



50mm



15mm



A: 11mm  
B: 22mm



A: 8mm B: 13mm  
A: 10mm B: 13mm



CAS203-1 CAS203-2 CAS203-3 CAS203-4 CAS203-5 CAS204



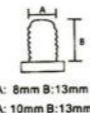
CAS205



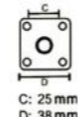
50mm



15mm



A: 8mm B: 13mm  
A: 10mm B: 13mm



C: 25mm  
D: 38mm



CAS206



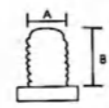
CAS207



50mm



A: 11mm  
B: 22mm



A: 10 mm  
B: 13 mm



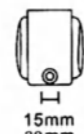
CAS208



CAS209



50mm



15mm  
38mm



A: 11mm  
B: 22mm



A: 10 mm  
B: 13 mm



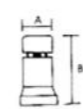
CAS201-1



50mm



38 mm



A: 10 mm  
B: 13 mm

CHAIRS ▶▶

